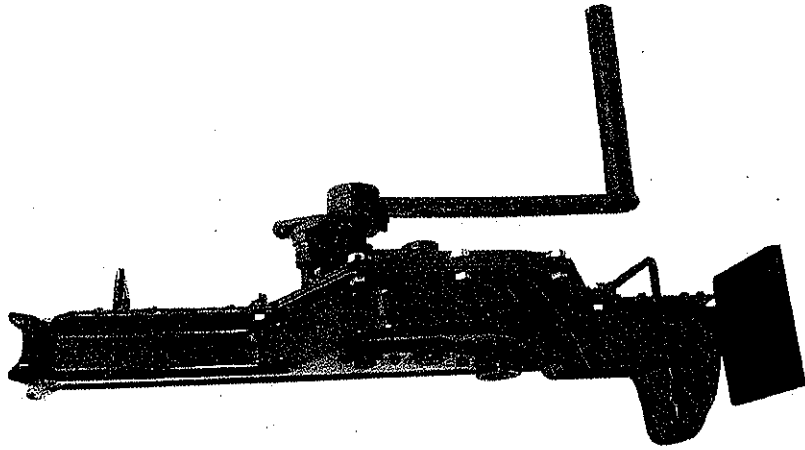


MECHANICAL JACK



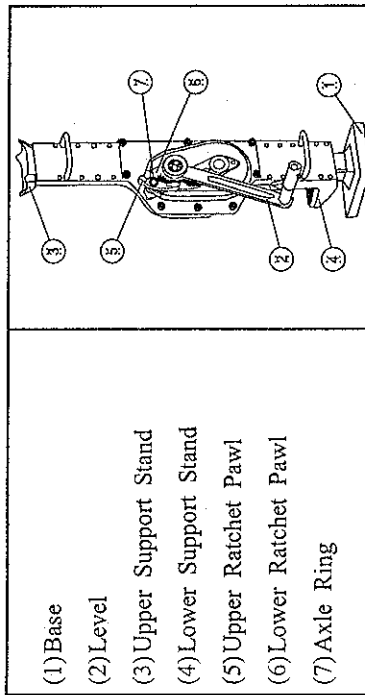
THANK YOU VERY MUCH FOR SELECTING OUR MECHANICAL JACK

The mechanical jack is designed by mechanical transmission principle. It's one of the best lift tools used in repairing and supporting, etc. The lifting or lowering speed is controllable. Moreover, it overcomes the shortcoming of the common hydraulic jacks whose lowering height and speed is out of control when oil heaving.

The top-quality all steel structure makes it safe and durable. The compact design with collapsible lever offers easy operation and simple maintenance. It has two applicable supports stands. The lifting range is much higher.

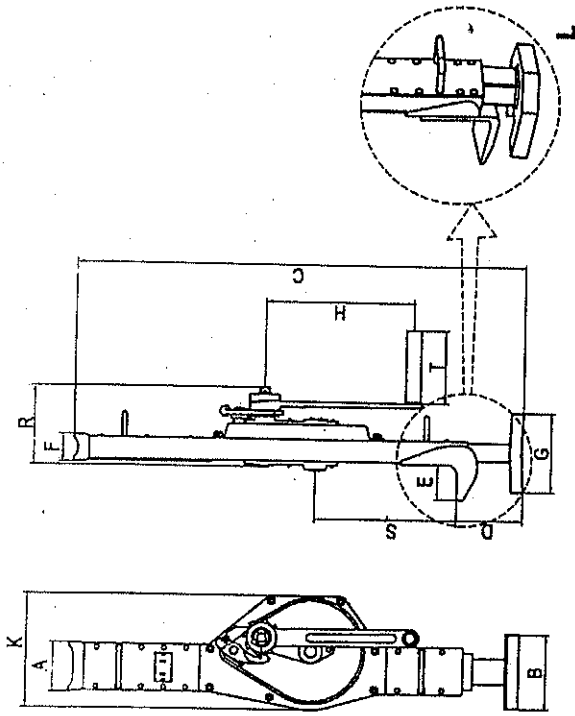
Operation Guide

Put the mechanical jack on even places. Then place the goods on the Lower Support Stand (4) or the Upper Support Stand (3). Shake the Level (2) clockwise to lift the goods, vice versa, the goods are lowered down.

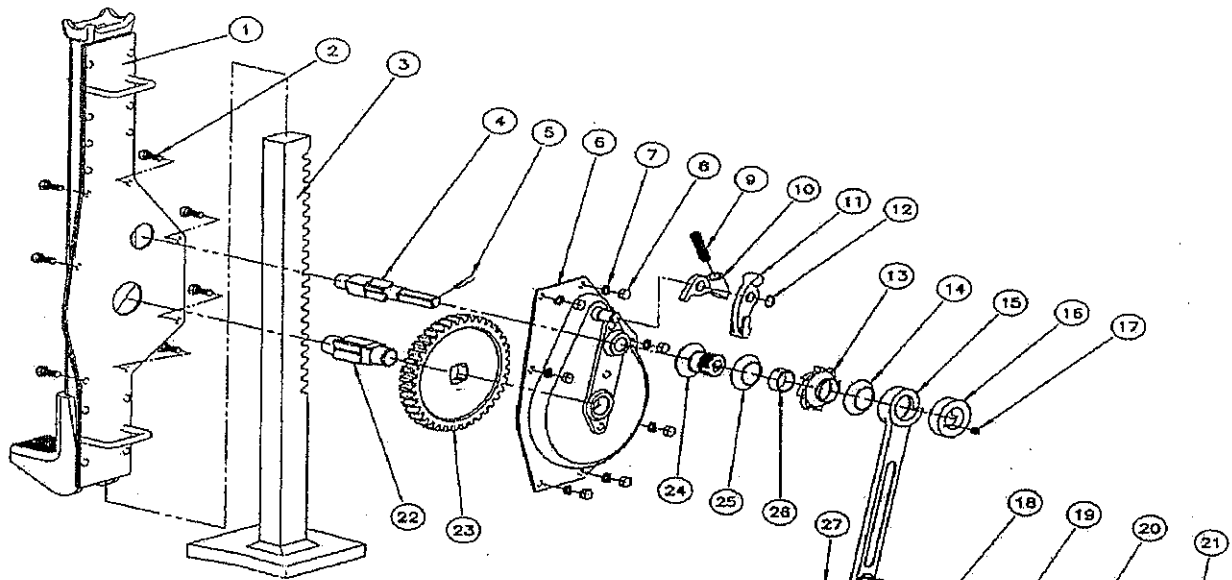


Attention

- Don't exceed the rated capacity. Overload is forbidden.
- Before operation, please check the flexibility of the Ratchet Pawls (5), (6)
- Please be sure the jack is on complete balance when operating. Don't put it on beveled, arc or uneven surfaces. The jack must be placed on hard plain grounds.
- Before lifting, please be sure the Support Stand (4), (3) supports the goods completely.
- When several jacks are used at the same time, please be sure of the same lift or down. The whole operation course should be directed.
- It's forbidden putting any parts of the body under the lifted goods.
- If working force is abnormal in operation, please stop working immediately to inspect all related transmit components.
- Lubricate parts applicably regularly.
- The Upper Support stand (3) should be on bottom position when the jack is not used.

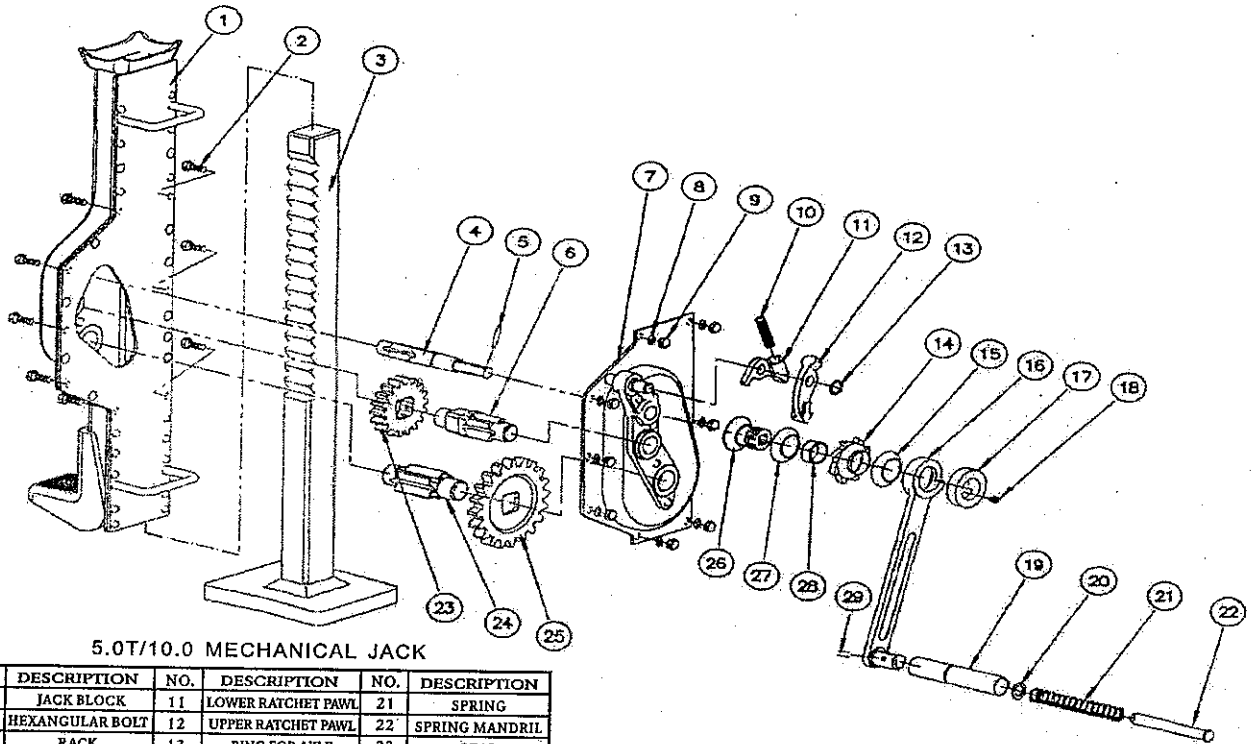


Item No	1.5T	3T(L)	5T(L)	10T(L)	16T	20T	25T
Rated Capacity/T	1.5	3	5	10	16	20	25
Test Capacity/kN	18.4	36.8	61.3	122.5	196	245	306
Chain shake to lift full load/N	190	196	235	431	580	650	750
main measurement (MM)	A	77	83	105	153	153	153
	B	100	130(155)	140(190)	140(210)	150	150
	C	605-905	720-1075	735-1065	795-1155	790-1105	840-1155
	D	55-355	55-410 (20-375)	60-390 (30-360)	70-430 (30-390)	90-405	90-405
	E	55	60(50)	70(60)	80(75)	85	85
	F	40	45	68	73	90	90
	G	110	138(130)	175(170)	175(170)	182	182
	H	225	285	285	330	360	360
	K	121	200	190	252	275	275
	R	119	140	155	185	210	224
S	185	230(270)	220(280)	220(280)	202	202	
T	126	126	126	250	250	250	
Net weight/KG	10.7	21.3(24.5)	27(30)	47(53)	64.5	72	93



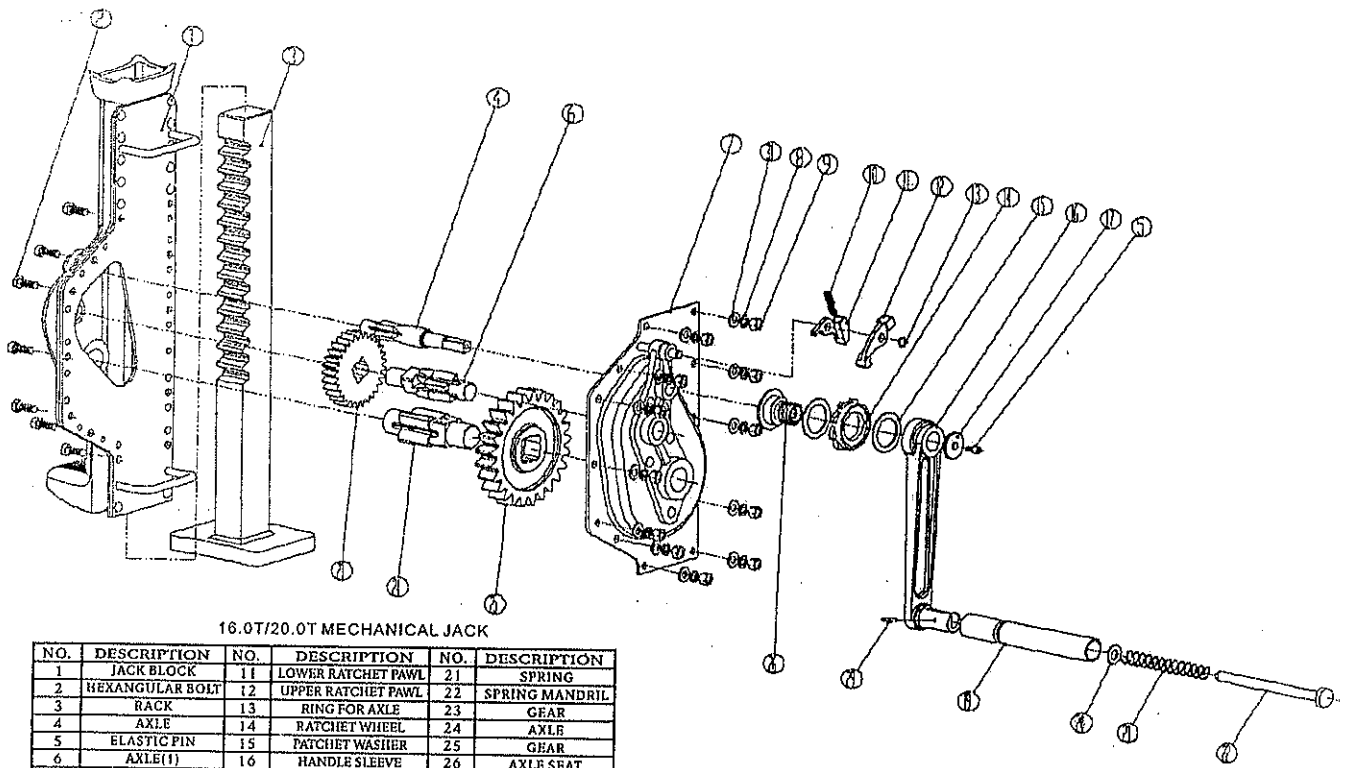
1.5T/3.0T MECHANICAL JACK

NO.	DESCRIPTION	NO.	DESCRIPTION	NO.	DESCRIPTION
1	JACK BLOCK	10	LOWER RATCHET PAWL	19	WASHER
2	HEXANGULAR BOLT	11	UPPER RATCHET PAWL	20	SPRING
3	RACK	12	RING FOR AXLE	21	SPRING MANDRIL
4	AXLE	13	RATCHET WHEEL	22	AXLE
5	ELASTIC PIN	14	PATCHET WASHER	23	GEAR
6	LEFT BRACKET	15	HANDLE SLEEVE	24	AXLE SEAT
7	WASHER	16	LOCK NUT	25	RATCHET WASHER
8	HEXANGULAR NUT	17	SCREW	26	AXLE SEAT SLEEVE
9	PAWL SPRING	18	HANDLE SLEEVE	27	ELASTIC PIN



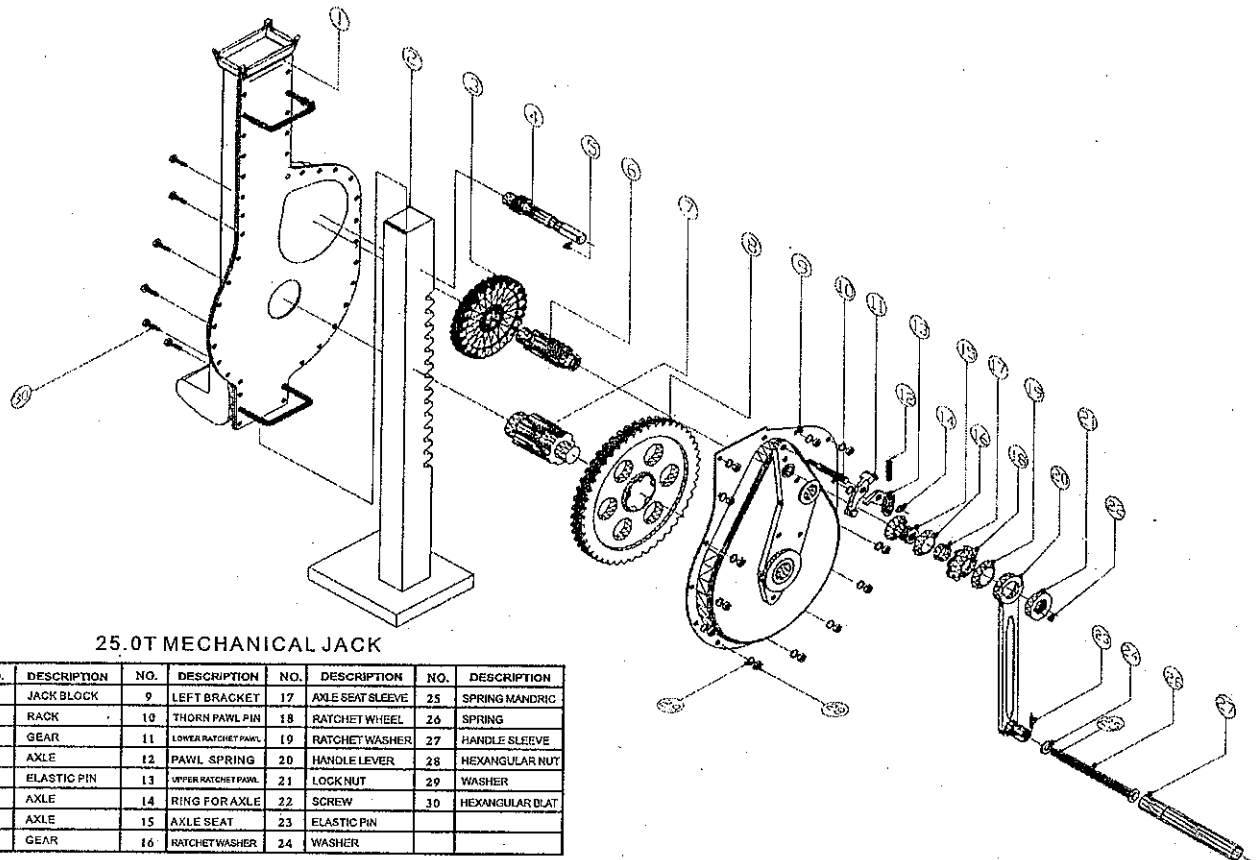
5.0T/10.0 MECHANICAL JACK

NO.	DESCRIPTION	NO.	DESCRIPTION	NO.	DESCRIPTION
1	JACK BLOCK	11	LOWER RATCHET PAWL	21	SPRING
2	HEXANGULAR BOLT	12	UPPER RATCHET PAWL	22	SPRING MANDRIL
3	RACK	13	RING FOR AXLE	23	GEAR
4	AXLE	14	RATCHET WHEEL	24	AXLE
5	ELASTIC PIN	15	RATCHET WASHER	25	GFAR
6	AXLE(1)	16	HANDLE SLEEVE	26	AXLE SEAT
7	LEFT BRACKET	17	LOCK NUT	27	WASHER
8	WASHER	18	SCREW	28	AXLE SEAT SLEEVE
9	HEXANGULAR NUT	19	HANDLE SLEEVE	29	ELASTIC PIN
10	PAWL SPRING	20	WASHER		



16.0T/20.0T MECHANICAL JACK

NO.	DESCRIPTION	NO.	DESCRIPTION	NO.	DESCRIPTION
1	JACK BLOCK	11	LOWER RATCHET PAWL	21	SPRING
2	HEXANGULAR BOLT	12	UPPER RATCHET PAWL	22	SPRING MANDRIL
3	RACK	13	RING FOR AXLE	23	GEAR
4	AXLE	14	RATCHET WHEEL	24	AXLE
5	ELASTIC PIN	15	RATCHET WASHER	25	GEAR
6	AXLE(1)	16	HANDLE SLEEVE	26	AXLE SEAT
7	LEFT BRACKET	17	LOCK NUT	27	
8	WASHER	18		28	
9	HEXANGULAR NUT	19	HANDLE SLEEVE	29	ELASTIC PIN
10	PAWL SPRING	20	WASHER	30	WASHER



25.0T MECHANICAL JACK

NO.	DESCRIPTION	NO.	DESCRIPTION	NO.	DESCRIPTION	NO.	DESCRIPTION
1	JACK BLOCK	9	LEFT BRACKET	17	AXLE SEAT SLEEVE	25	SPRING MANDRIL
2	RACK	10	THORN PAWL PIN	18	RATCHET WHEEL	26	SPRING
3	GEAR	11	LOWER RATCHET PAWL	19	RATCHET WASHER	27	HANDLE SLEEVE
4	AXLE	12	PAWL SPRING	20	HANDLE LEVER	28	HEXANGULAR NUT
5	ELASTIC PIN	13	UPPER RATCHET PAWL	21	LOCK NUT	29	WASHER
6	AXLE	14	RING FOR AXLE	22	SCREW	30	HEXANGULAR PLAT
7	AXLE	15	AXLE SEAT	23	ELASTIC PIN		
8	GEAR	16	RATCHET WASHER	24	WASHER		